



FSUMB-XX-S Free Standing Undercounter Merchandiser Base – Slatwall

\$1,530.00–\$1,875.00

AD-FSUMB Free Standing Full-Height Arch-Side Merchandiser Cabinet Base – Slatwall

Height 80" x	<input type="text" value="Interior Width 42"/>
Color	<input type="text" value="Asian Night 7949K-18"/>
Artwork	<input type="text" value="No Artwork - Plain"/>
Accessories	<input type="text" value="Package A (Included)"/> Clear

\$1,590.00

[ADD TO QUOTE](#)

SKU: AD-FSUMB-4280-S-APA Category: [Free Standing Fixtures](#)

Description

Additional Information

Product Description

Merchandiser Cabinet Series

The FSUMB Free standing arch side merchandiser slatwall fixture with undercounter merchandiser space. This merchandiser cabinet is a great addition to the Micro-Market Fixtures line-up. The mid-level countertop is perfect for positioning a point of sale kiosk. The upper and lower merchandising cabinet space allows for point of sale impulse items to be displayed front and center as customers utilize a self-pay kiosk for check out.

High Quality Construction

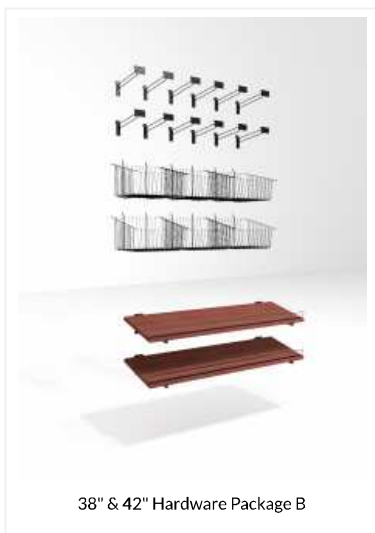
This stand alone fixture is constructed of engineered particleboard and high pressure laminate and built with ¾" contoured side walls, slatwall main wall and base cabinet, and has a laminated counter top included. The FSUMB micro market fixture ships fully assembled. Ask about the optional finished outside back panel, custom color combinations, special sizes and more. Though these fixtures are part of our modular design series each one is ready for customization upon request.

The Accessory Package A ships with the inline merchandiser base fixture. Package A is a wire basket package including (12) Scanner Hooks, (24) Ticket Holders, (6) 12"x12"x8"x4" Slope Side Wire Baskets, (6) 12"x12"x4" Wire Baskets. Click on the Additional Information tab above for detailed information about each accessory packages.

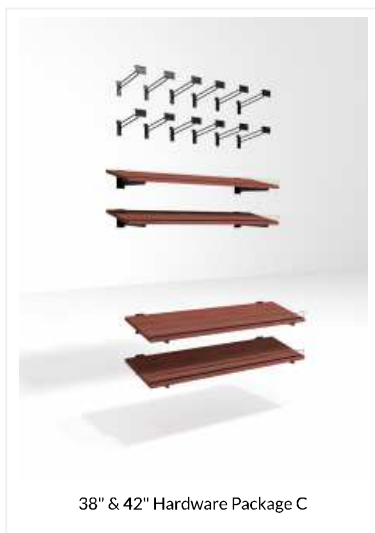
Artwork packages can not be added to the IFSUMB however, the upper valence allows for easy installation of LED lighting to draw attention to the products placed in the InLine Merchandiser Base area.



38" & 42" Hardware Package A



38" & 42" Hardware Package B



38" & 42" Hardware Package C

Hardware Accessory Packages for InLine Free Standing Merchandiser Fixture Details

Hardware Accessory Package A consists of wire baskets and hooks. Package B includes two full width shelves with clear product stops along with wire baskets and hooks. Package C includes four full width shelves and wire hooks.

The accessory packages for 38" and 42" are interchangeable. 48" models require a different package than the 38" and 42" models. Please specify your fixture size from the drop down menu above and the appropriate hardware accessory package will be included.

~ Custom sizes available

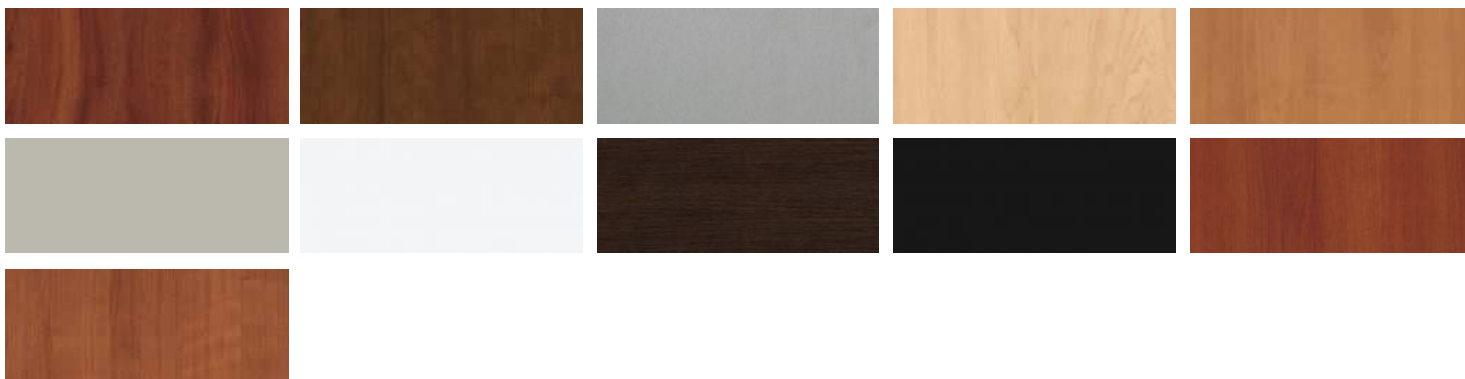
** Alternate product arrangements: Please specify any hardware substitutions and/or hardware additions at the time of order, additional fees may apply.

Laminate Colors:

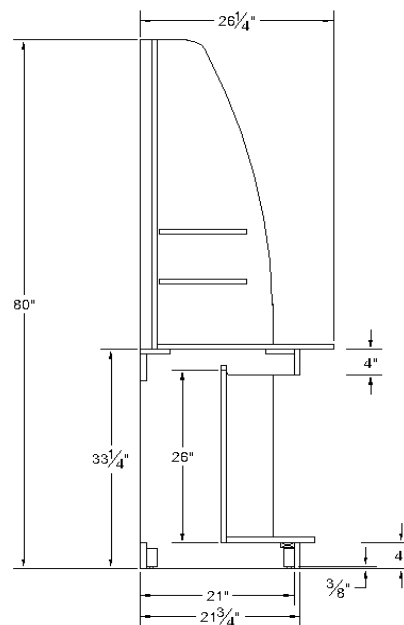
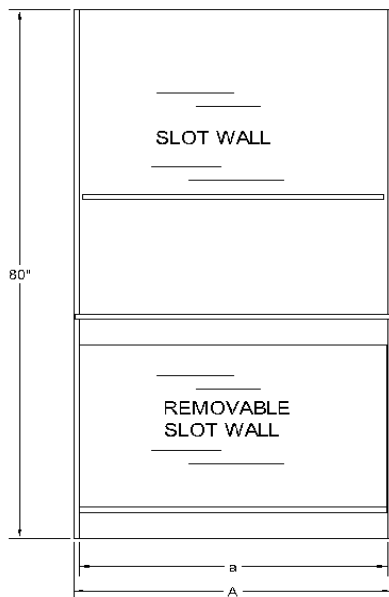
Tier 1 Colors: In stock!



Tier 2 Colors: In stock at our suppliers!



Other laminate colors available, contact factory for pricing & availability.



- Model numbers associate with the interior dimension of each FSUMB model.
- The lower slatwall section is easily removed allowing access to under counter and back wall area. Remove it with a lift and pull motion. To replace the section slide the top in first, push the panel toward the back wall and lower it into place.
- Furniture Glides are installed in base corner blocking. Each glide (foot) has 1" amount of adjustment.

MODEL	Inside a	Overall A	Overall Height	Side Wall Depth	Overall Depth	Counter Height	Leveling Distance	Shelf Angle Positions*
FSUMB-3880-S	38"	39 1/2"	80"	18"	26 1/4"	34"	1"	4
FSUMB-4280-S	42"	43 1/2"	80"	18"	26 1/4"	34"	1"	4
FSUMB-4880-S	48"	49 1/2"	80"	18"	26 1/4"	34"	1"	4

STANDARD FEATURES - High Quality Construction from Wilsonart coordinated surfaces product line. Slatwall and toe kick sections are covered with HPL for durability. Sidewalls are 3/4" Melamine with matching banding on exposed edges. Sidewall bottom edges are banded with 3mm black PVC for durability. Lower slatwall section is removable for ease of electrical appliances on counter top.

ACCESSORY (HARDWARE) PACKAGES - Pkg A (Wire Baskets) is included and ships with this unit unless another hardware package is specified at time of order Pkg B (Millwork Shelves & Baskets) Pkg C (Millwork Shelves)

CUSTOM FEATURES - Customization of each FSUMB can include under counter LED light strip for lower product illumination, 2 1/2" Grommet hole(s) cut through the mid-level countertop for electrical cords, Artwork panel on stainless steel stand-offs located at top of slatwall section.

*Adjustable angled shelf brackets with chrome finish are included with hardware packages B and C. There are 2 brackets per shelf. Adjustable angle options are 0°, 15°, 30°, 45°. If black finish only available on 0° brackets.