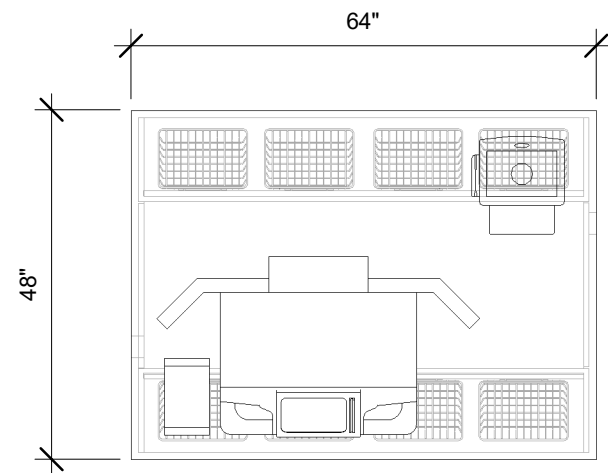
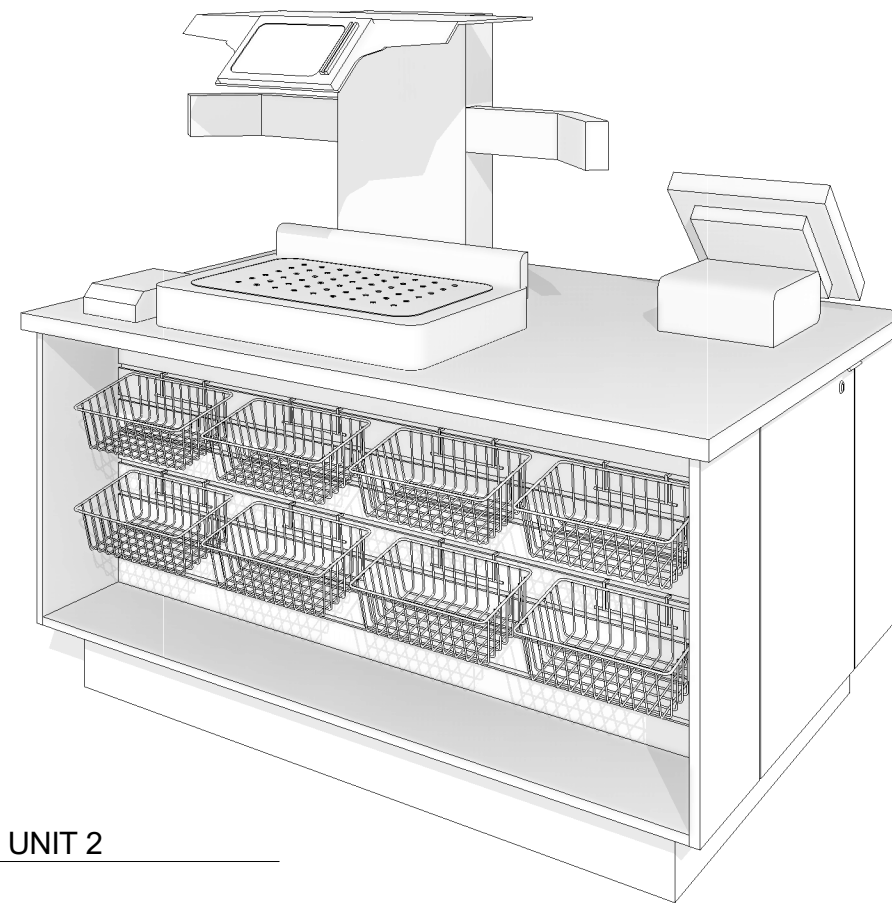


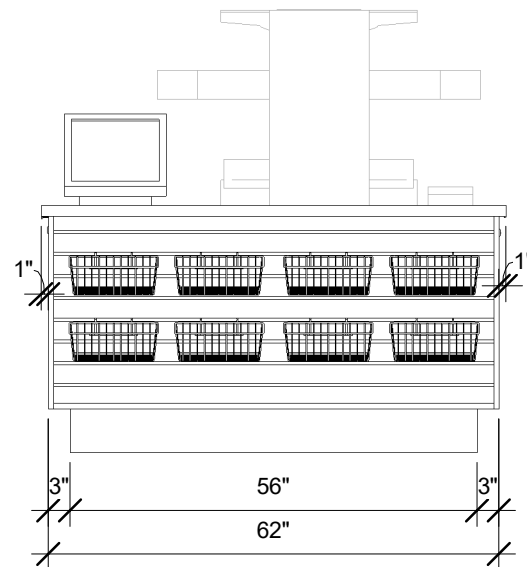
POS-DSM-6448-34



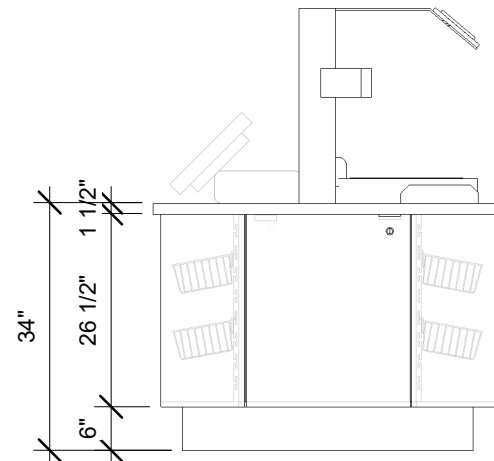
② UNIT 2 PLAN
1/2" = 1'-0"



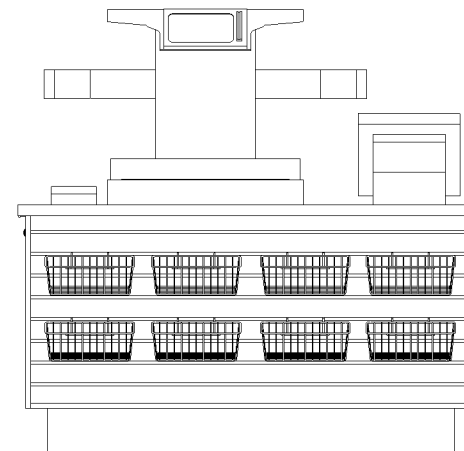
① UNIT 2



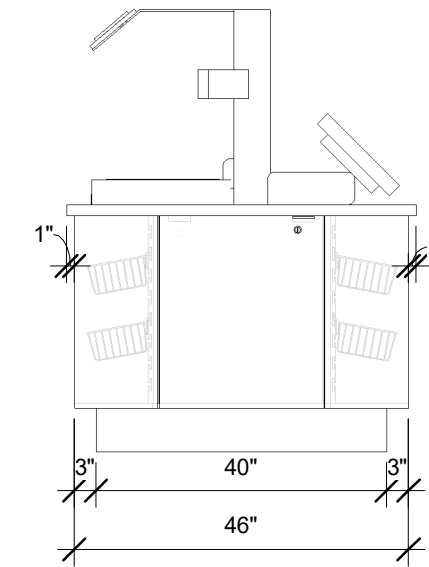
③ UNIT 2 BACK
1/2" = 1'-0"



④ UNIT 2 LEFT ELEVATION
1/2" = 1'-0"



⑤ UNIT 2 FRONT
1/2" = 1'-0"



⑥ UNIT 2 RIGHT ELEVATION
1/2" = 1'-0"

AXIS Designs
 Foodservice Equipment & Fabrication
 1750 Eastwood Drive
 Aurora, IL 60506
 (331) 256-6619
 www.axisdesigns.net

NOTES:

#	Revision	Date

Client
 Project Name
 Project number
 Date

UNIT 2
A2

Scale 1/2" = 1'-0"