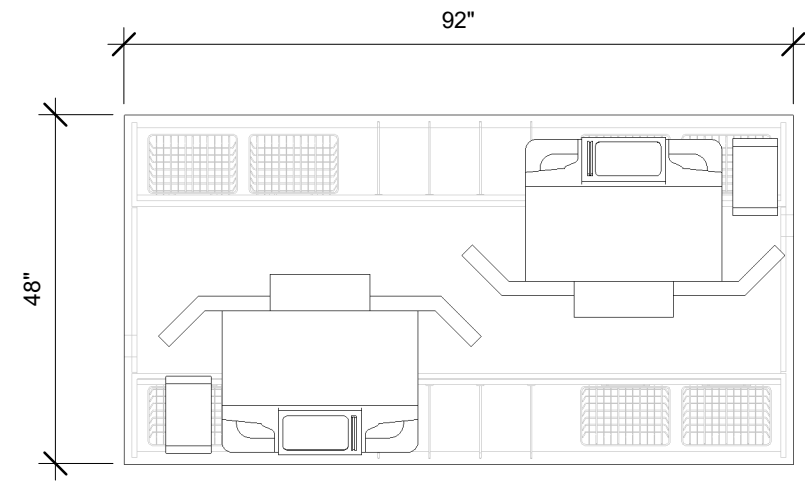
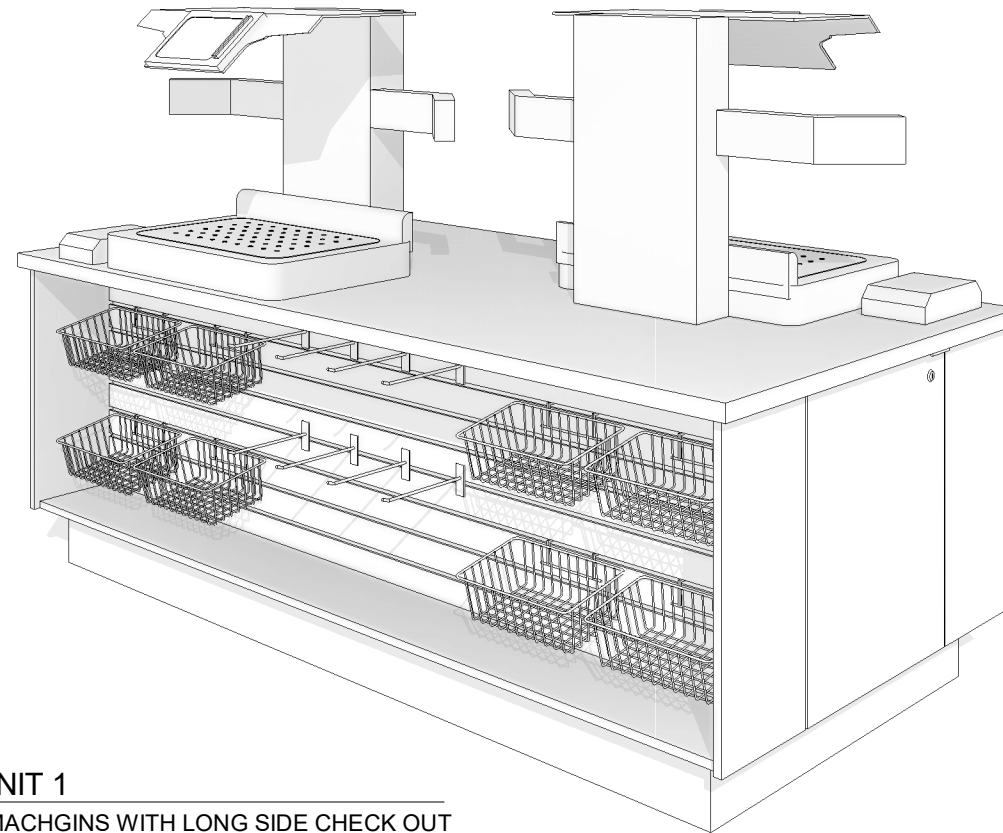


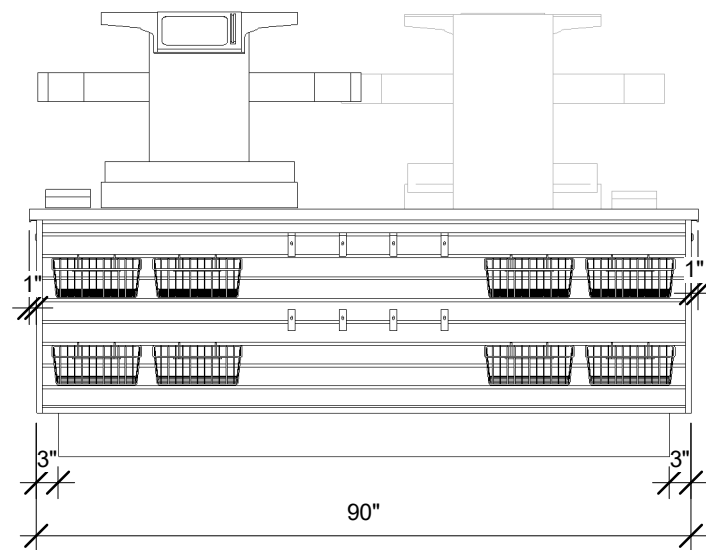
POS-DSM-9248-34



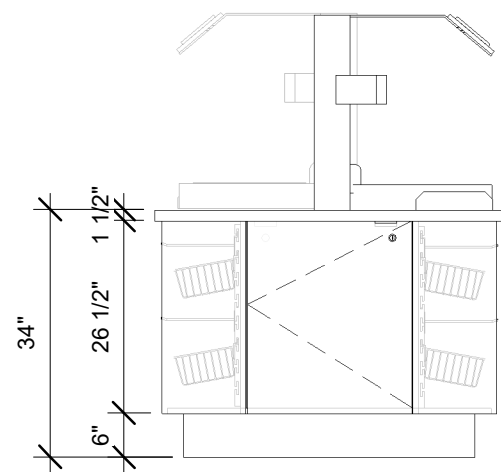
② UNIT 1 PLAN
1/2" = 1'-0"



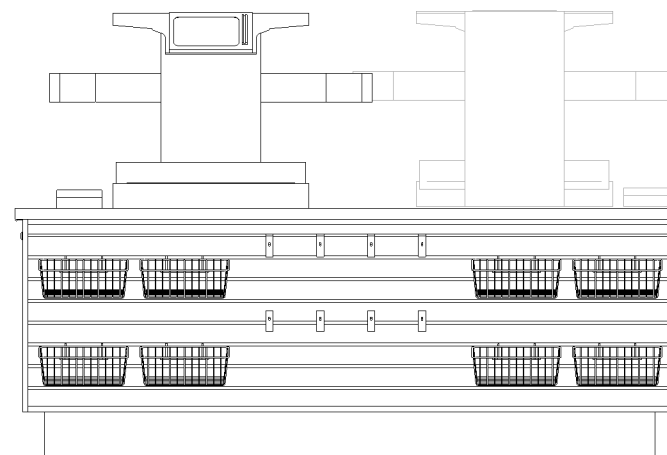
⑥ UNIT 1
2 MACHGINS WITH LONG SIDE CHECK OUT



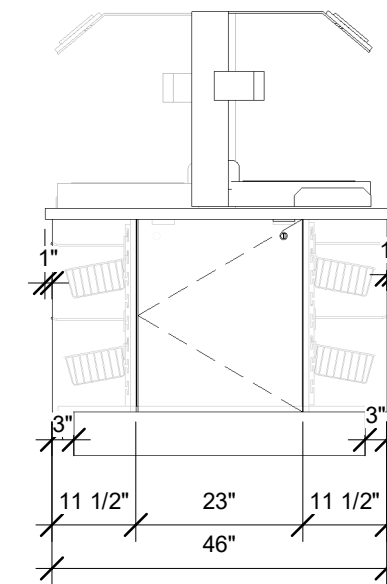
① UNIT 1 BACK
1/2" = 1'-0"



⑤ UNIT 1 LEFT
1/2" = 1'-0"



③ UNIT 1 FRONT
1/2" = 1'-0"



④ UNIT 1 RIGHT
1/2" = 1'-0"

AXIS Designs
 Foodservice Equipment & Fabrication
 1750 Eastwood Drive
 Aurora, IL 60506
 (331) 256-6619
 www.axisdesigns.net

NOTES:

#	Revision	Date

Client
 Project Name
 Project number
 Date

UNIT 1
A1

Scale 1/2" = 1'-0"