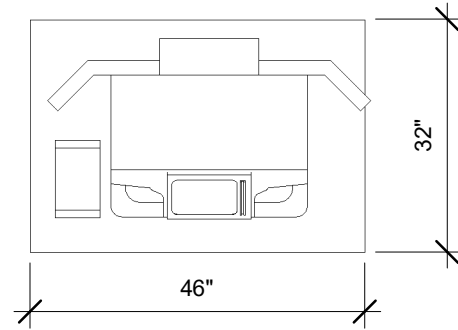
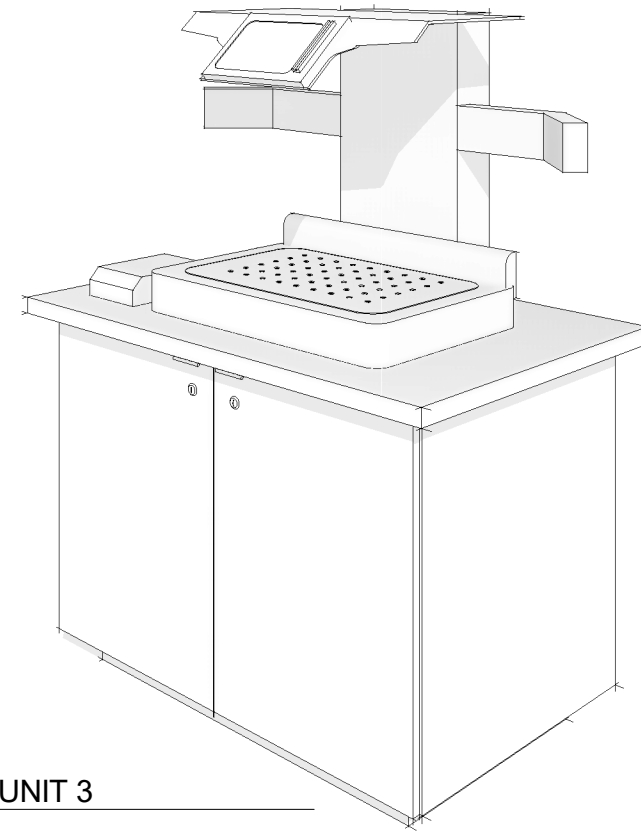


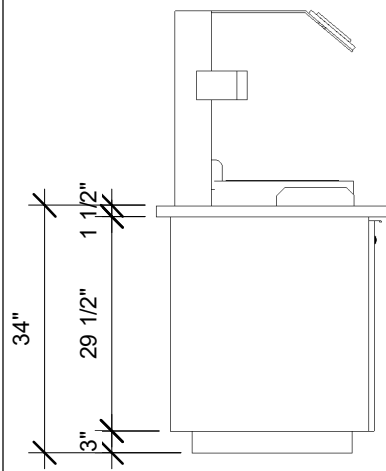
POS-ESB-4632-34



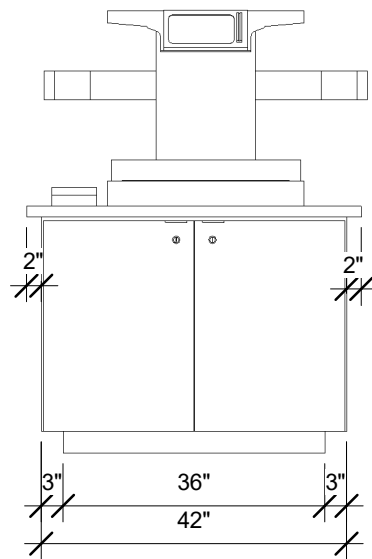
② UNIT 3 PLAN
1/2" = 1'-0"



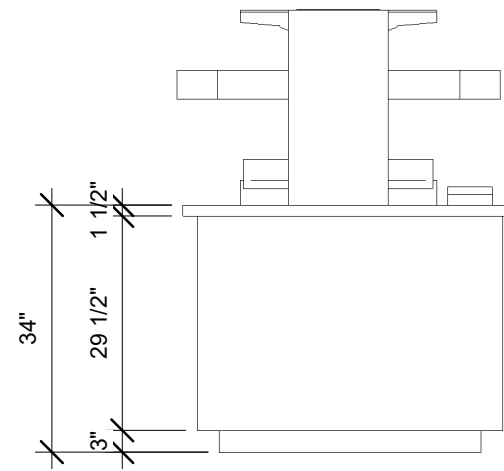
① UNIT 3



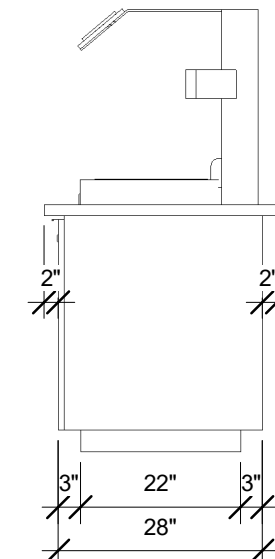
③ UNIT 3 LEFT
1/2" = 1'-0"



④ UNIT 3 FRONT
1/2" = 1'-0"



⑤ UNIT 3 BACK
1/2" = 1'-0"



⑥ UNIT 3 RIGHT
1/2" = 1'-0"

NOTES:

#	Revision	Date

Client _____
 Project Name _____
 Project number _____
 Date _____

UNIT 3
A3

Scale 1/2" = 1'-0"